

Quick Installation Guide

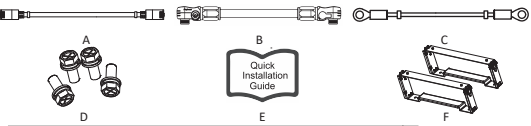
1. Tools Required

The following tools will be required to install the BMS BOX and the battery.



2. Packing List

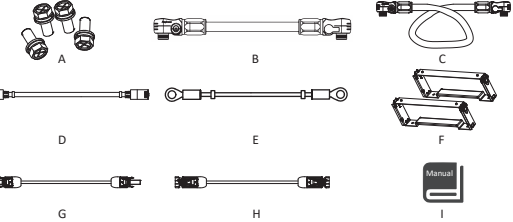
For HV2600 :



No.	Description	No.	Description
A	Communication cable (0.21m)	D	Mounting screw pack
B	Battery Power cable (0.19m)	E	Installation guide
C	Grounding cable (0.19m)	F	Fixing bracket

Note: item F is provide separately, not including in battery package. Please contact your dealer if you do not have it.

For BMS BOX :

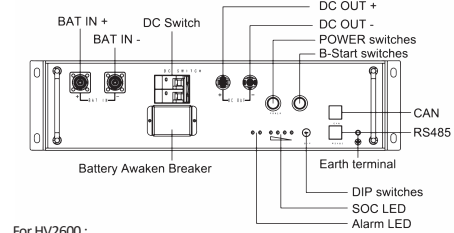


NO.	Items	NO.	Items
A	Mounting screw pack	F	Fixing bracket
B	Main negative battery connection cable (0.17m)	G	DC positive output cable (1.2m)
C	Main positive battery connection cable (1.3m)	H	DC negative output cable (1.2m)
D	Communication cable (BMS-inverter) (1.2m)	I	User manual
E	Grounding cable (1m)		

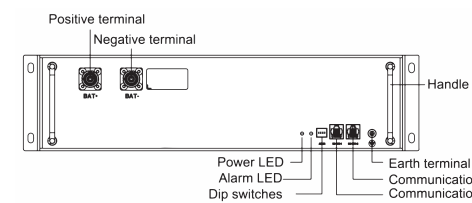
Note: item F is provide separately, not including in battery package. Please contact your dealer if you do not have it.

3. Terminals

For BMS BOX :



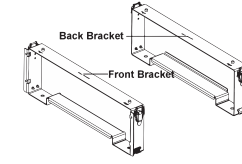
For HV2600 :



4. Installation Steps

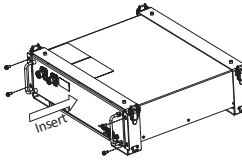
Step 1

Place the front bracket and back bracket as shown below.



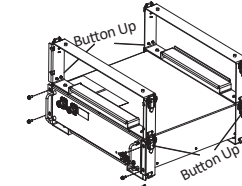
Step 2

Insert the battery module into the bracket from front horizontally, and tighten the four screws on the side.



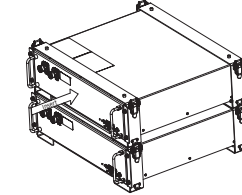
Step 3

Locate the brackets for the second battery on top of the first pair of the bracket and fasten the connecting button on the side.



Step 4

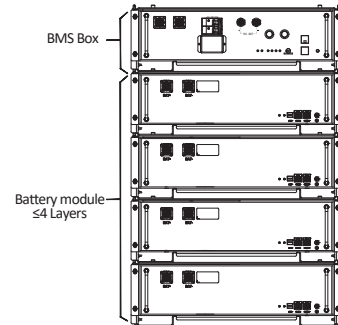
Insert the battery module into the bracket from front horizontally, and tighten the four screws on the side.



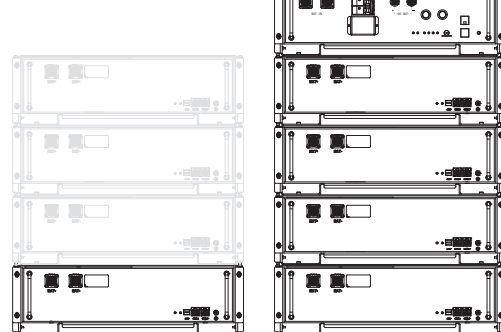
Note:

Max. 4 pieces battery per stack. Please make sure each system including 1 BMS BOX.

Battery modules less than 4 pieces:



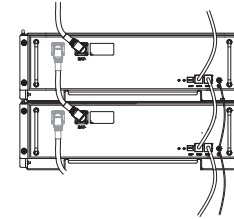
Battery modules more than 4 pieces:



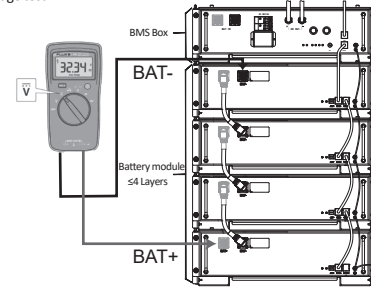
5. Wiring Steps

Battery power cable:

Step 1: Connect the power cable starting from the first battery module in series with other battery modules (Orange opposite, black negative). A 'click' sound indicates the connections are secured. The positive and negative connection of the battery cable is shown in below.



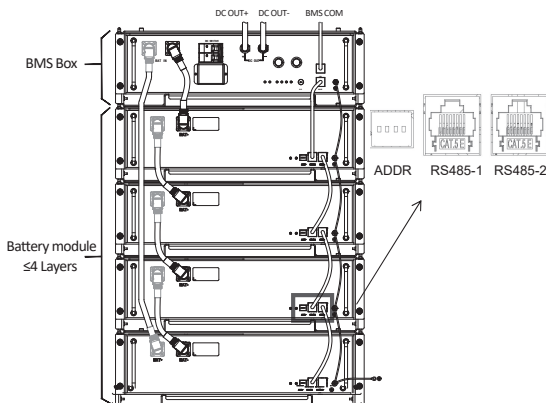
Step 2 : Measure voltage value: After all battery modules are connected in series, use a multimeter to measure the DC voltage on DC terminal. The total voltage should be $N * 52 \pm 10V$ (N is the total number of battery module). Please refer to the picture below for voltage test.



Communication cable connection:

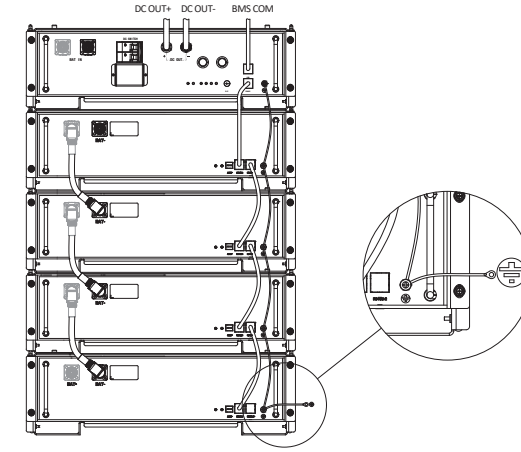
Step 1 : Take the main positive cable (two orange plugs), the main negative line (two black plugs) to connect the BMS BOX.

Step 2 : Then connect the 485 on the BMS BOX to the RS485-1 of the first battery module, connect the RS485-1 of the previous battery module to RS485-2 of the next battery module, leave the last module's RS485-2 vacant. Wiring shall be connected in the sequence as shown in below.



Grounding cable:

Connect the grounding cable to ensure that all batteries are grounded. Wiring shall be connected in the sequence as shown in below.



6. System Start Up

BMS BOX operation:

1. Before starting, please dial DIP to the correct position. DIP represents the number of HV2600 in the system. Please refer to the following table for details:

DIP position	The number of HV2600
0	2
1	3
2	4
3	5
4	6
5	7
6	8

2. Normal mode: Turn on DC switch first, then press 'POWER' button.

3. Black start: (No grid connected) press the 'B-start' switch, turn on DC switch, and then press the 'POWER' switch.

Startup steps:

Turn on DC switch and press the POWER switch. Alarm display and Alarm LED on HV2600 will light up at the same time for 1s to prove that the system is powered on successfully. The control panel is shown in below.

